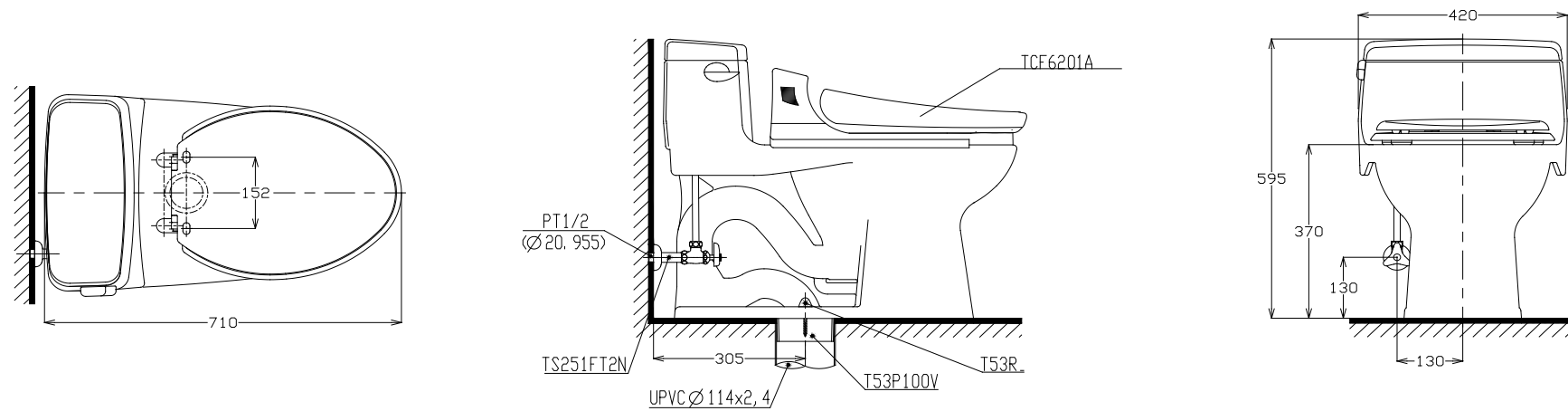


# MS864W2



ITEMS	
CW864V	Closet Body
TSV864	Tank Trim
TCF6201A	Washlet
TS251FT2N	Stop valve & flexible hose
T53P100V	Floor Flange
T53R	Caps